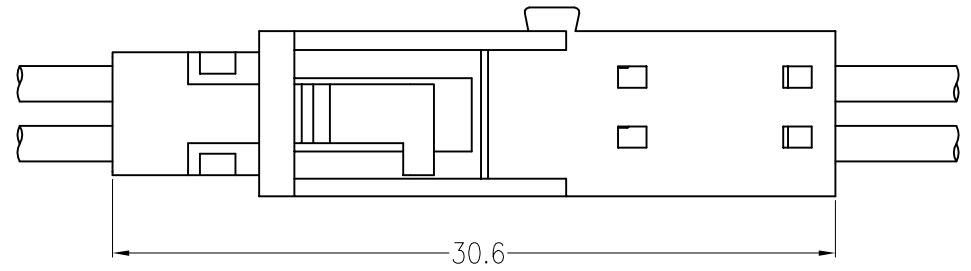
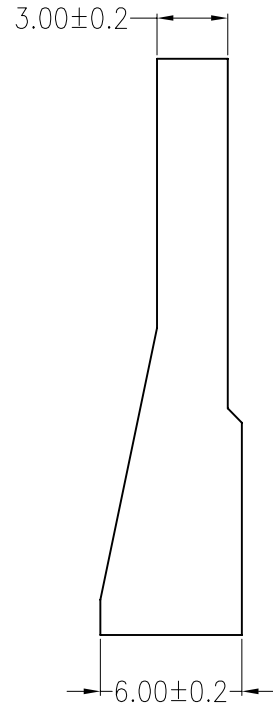
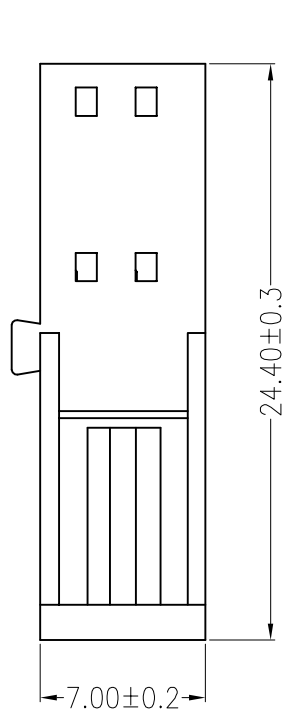


REV	DESCRIPTION	DESIGN	DATE
A0	Release	吴丹平	2016.06.15



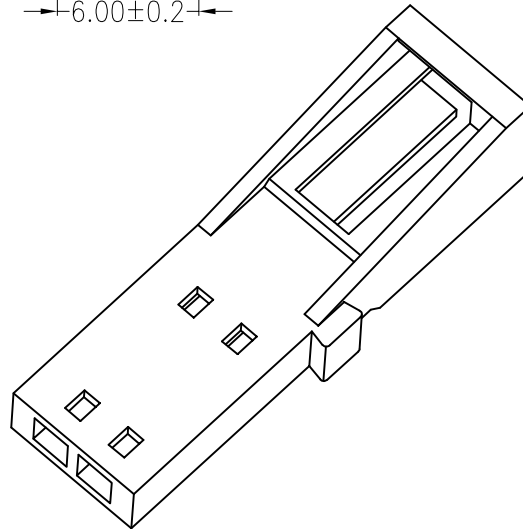
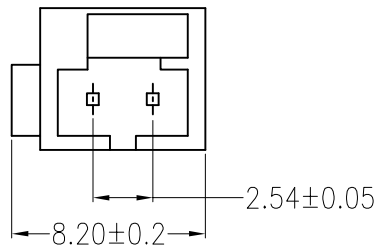
Assembly Layout

主要技术参数 Main Specifications

线 数 (Poles): 02
 接触电阻 (Contact resistance): $\leq 20m\Omega$
 绝缘电阻 (Insulation resistance): $\geq 1000M\Omega$
 额定电压 (Rated voltage): 250V AC DC
 额定电流 (Rated current): 3.0A AC DC
 耐 电 压 (Withstand Voltage): 1500V AC/minute
 温度范围 (Temperature Range): $-25^{\circ}C \sim +85^{\circ}C$

ORDER INFORMATION:

C2542R-02-A6W-P		
PART No.		PACKAGING: P=PE
No. OF CIRCUITS: 02		PLASTIC MATERIAL: A6W=PA66 (WHITE)



ITEM	COMPONENT	Q'TY	MATERIAL	FINISH
C				
B				
A	PEDESTAL	1 PCS	PA66	
JKUN 温州健坤接插件有限公司 WENZHOU JKUN CONNECTOR CO., LTD.				TITLE: -
X.±0.5	X.±5'	USE:	PART NO.:	
.X±0.3	.X±2'	CUSTOMER	C2542R-02-A6W-P	
.XX±0.25	.XX±1'	APPD: 邵敬和	DWG NO.:	
--	--	CHKD: 田 峰	JKUN/GCCP-0603	
⊕	UNITS: mm	DR: 蒋建银	SCALE 1 : 1	SHEET 1 / 1