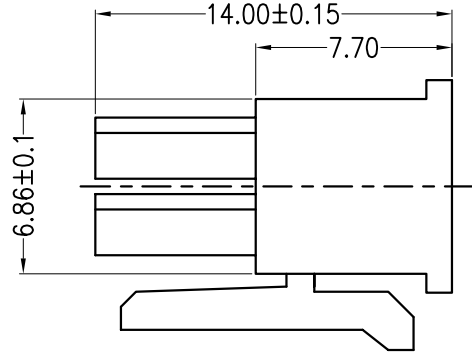
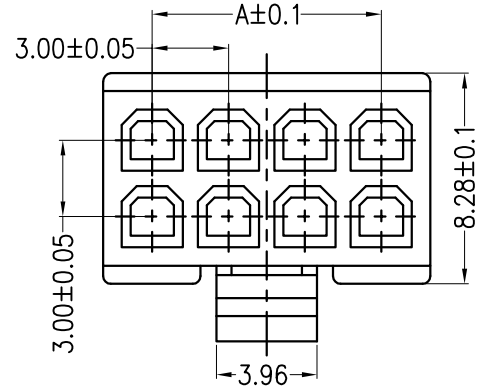


REV	DESCRIPTION	DESIGN	DATE
A0	Release	蒋建银	2018.01.15



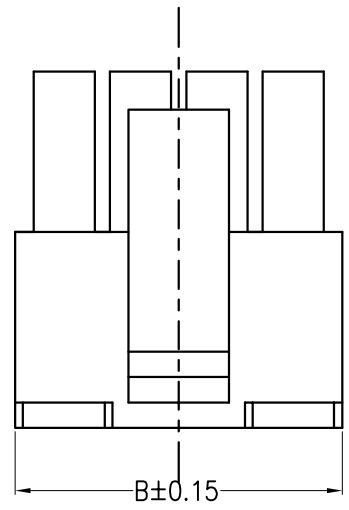
**主要技术参数 Main Specifications**

线 数 (Poles): 02 to 24  
 接触电阻 (Contact resistance):  $\leq 20m\Omega$   
 绝缘电阻 (Insulation resistance):  $\geq 1000M\Omega$   
 额定电压 (Rated voltage): 250V AC DC  
 额定电流 (Rated current): 5.0A AC DC  
 耐 电 压 (Withstand Voltage): 1000V AC/minute  
 温度范围 (Temperature Range):  $-25^{\circ}C \sim +85^{\circ}C$

**ORDER INFORMATION:**

**A3001Y-\*\*\*-A5K-P**

PART No.	No. OF CIRCUITS: 201~212	PACKAGING: P=PE PLASTIC MATERIAL: A5K=PA66 (Black)
----------	--------------------------	---



Circuits	Dimensions (mm)		Circuits	Dimensions (mm)	
	A	B		A	B
02		3.86	14	18.0	21.85
04	3.0	6.85	16	21.0	24.85
06	6.0	9.85	18	24.0	27.85
08	9.0	12.85	20	27.0	30.85
10	12.0	15.85	22	30.0	33.85
12	15.0	18.85	24	33.0	36.85

ITEM	COMPONENT	Q'TY	MATERIAL	FINISH
A	PEDESTAL	1 PCS	PA66	COLOR:BLACK
<b>JKUN 温州健坤接插件有限公司</b> <b>WENZHOU JKUN CONNECTOR CO., LTD.</b>				TITLE: - 3.00mmPITCH Housing
X.±0.5	X.±5'	USE: CUSTOMER	PART NO.: A3001Y-***-A5K-P	
.X±0.3	.X±2'			
.XX±0.25	.XX±1'	APPD: 邵敬和	DWG NO.: JKUN/GCCP-0564	
--	--	CHKD: 田峰		
UNITS: mm		DR: 蒋建银	SCALE 1 : 1	SHEET 1 / 1