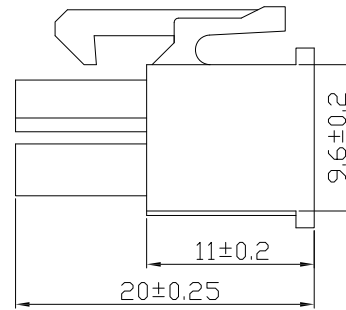
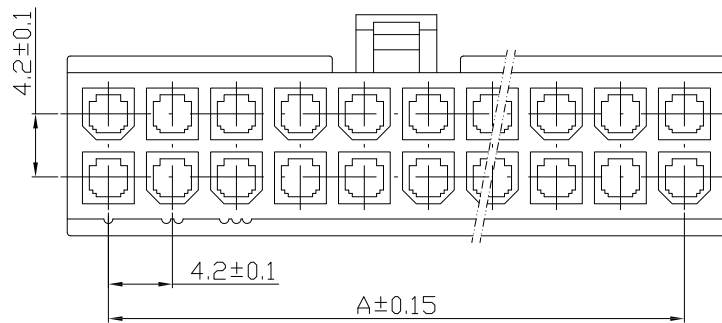
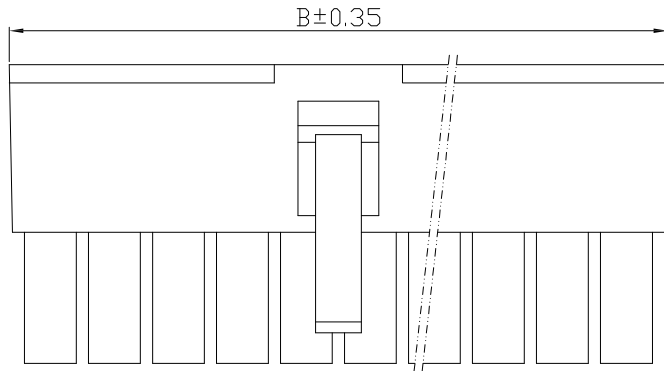


REV	ECN No.	DESCRIPTION	DESIGN	DATE
A0		Release	蒋建银	2018.03.06



主要技术参数 Main Specifications

线数 (Poles): 02 to 24
 接触电阻 (Contact resistance): $\leq 20\text{m}\Omega$
 绝缘电阻 (Insulation resistance): $\geq 1000\text{M}\Omega$
 额定电压 (Rated voltage): 300 V AC DC
 额定电流 (Rated current): 9.0A AC DC
 耐电压 (Withstand Voltage): 1500V AC/minute
 温度范围 (Temperature Range): $-25^{\circ}\text{C} \sim +85^{\circ}\text{C}$

C4201P-2-A0T-P**

PART No. _____	PACKAGING: P=PE
No. OF CIRCUITS: _____	PLASTIC MATERIAL: A0T=PA66(Transparent)
201~212	

Circuits	Dimensions (mm)		Circuits	Dimensions (mm)	
	A	B		A	B
201		5.60	207	25.20	30.80
202	4.20	9.80	208	29.40	35.00
203	8.40	14.00	209	33.60	39.20
204	12.60	18.20	210	37.80	43.40
205	16.80	22.40	211	42.00	47.60
206	21.00	26.60	212	46.20	51.80

C				
B	CONTACT			
A	HOUSING	1 PCS	PA66	COLOR:Transparent,UL94-V2
ITEM	COMPONENT	Q'TY	MATERIAL	FINISH
JKUN 温州健坤接插件有限公司 WENZHOU JKUN CONNECTOR CO., LTD.				TITLE: C4201P 4.2mmPITCH Housing
X.±0.5	X.±5'	USE: CUSTOMER		PART NO.:
.X±0.3	.X±2'	APPD: 邵敬和		C4201P-2**-A0T-P
.XX±0.25	.XX±1'	CHKD: 田峰		DWG NO.:
--	--	DR: 吴丹平		JKUN/GCCP-0678
UNITS: mm		SCALE 1 : 1		SHEET 1 / 1