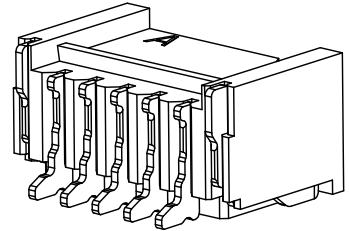
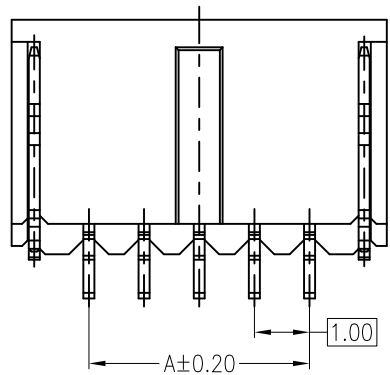
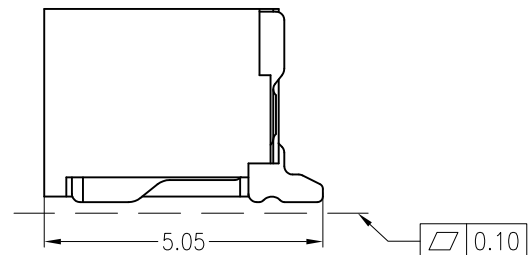
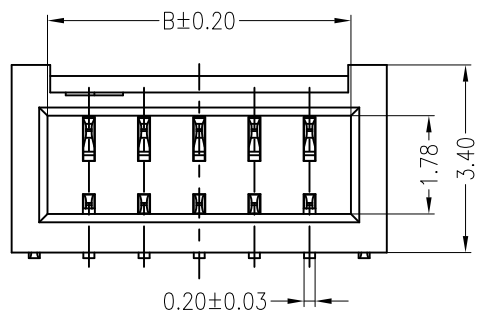


PCB LAYOUT(Tolerance:±0.05)



REV	DESCRIPTION	DESIGN	DATE
A	NEW RELEASE	FangSongLe	2021/06/30

Specifications:  
 Poles: 02 to 20  
 Contact resistance: ≤20mΩ  
 Insulation resistance: ≥100MΩ  
 Rated voltage: 125V AC DC  
 Rated current: 1.0A AC DC  
 Withstand Voltage: 500V AC/minute  
 Temperature Range: -25°C~ +85°C  
 Housing: PA6T UL94V-0, Natural  
 Cap: PA6T UL94V-0, Natural  
 Contacts: PhosphorBronze/Matte Sn-plated  
 Solder tabs: PhosphorBronze/Matte Sn-plated

ORDER INFORMATION:

**A1007AWR-\*\*-C2MB1-R**

PART No.		PACKAGING:
No.OF CIRCUITS:		R=REEL
02-20P		Metal code:
PLASTIC MATERIAL:		1=PhosphorBronze
C2M=PA6T		PLATING:
		B=MATTE Sn

PIN	DIM A	DIM B	DIM C	PIN	DIM A	DIM B	DIM C
2P	1.00	2.50	3.80	12P	11.00	12.5	13.8
3P	2.00	3.50	4.80	13P	12.00	13.5	14.8
4P	3.00	4.50	5.80	14P	13.00	14.5	15.8
5P	4.00	5.50	6.80	15P	14.00	15.5	16.8
6P	5.00	6.50	7.80	16P	15.00	16.5	17.8
7P	6.00	7.50	8.80	17P	16.00	17.5	18.8
8P	7.00	8.50	9.80	18P	17.00	18.5	19.8
9P	8.00	9.50	10.8	19P	18.00	19.5	20.8
10P	9.00	10.50	11.8	20P	19.00	20.5	21.8
11P	10.00	11.50	12.8				

<b>JKUN</b> 温州健坤接插件有限公司 WENZHOU JKUN CONNECTOR CO.,LTD.		TITLE: 1.0 Pitch Wafer 90° SMT	
GENERAL TOLERANCE		USE:	PART NO.:
X. ±0.50	X. ±5'	CUSTOMER	A1007AWR-**-C2MB1-R
X.X ±0.30	X.X ±2'	APPD:	DWG NO.:
X.XX ±0.20	X.XX ±1'	Liuzhengling	JKUN-GCKH-0877
CHKD: Steven	UNITS: mm	DR: FangSongLe	SCALE
			1 : 1
			SHEET
			1 / 1