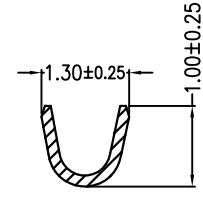
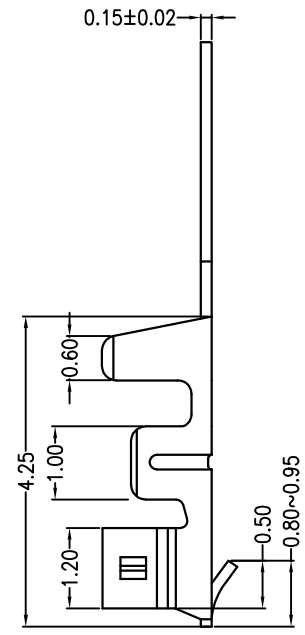
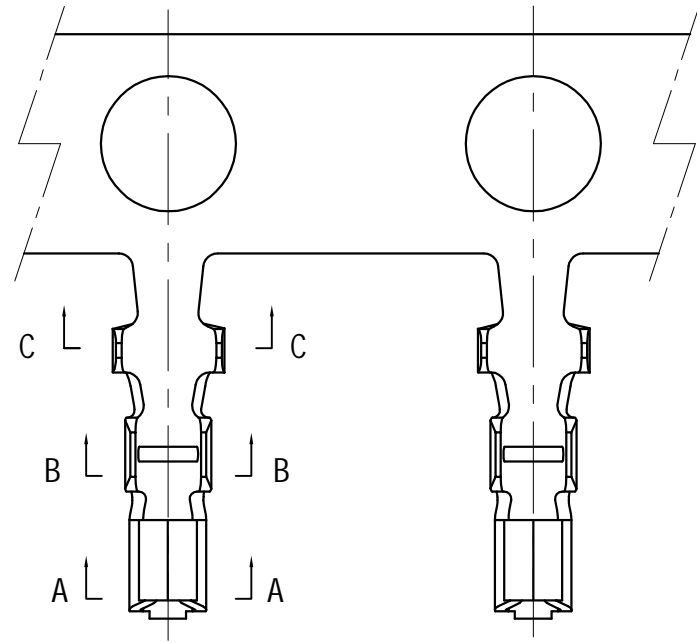
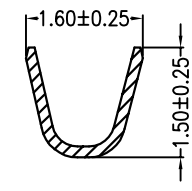


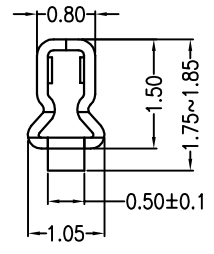
REV	ECN No.	DESCRIPTION	DESIGN	DATE
A0		Release	吴丹平	2015.07.01



B-B



C-C



A-A

Ordering Information & Specification:

Part No	Wire Range	Insulation O.D.	Material	Finish	Qty/Reel
A1501T-PA	AWG #28~#32	0.90mm(max)	Phosphor bronze	Tin-plated	/
JKUN 温州健坤接插件有限公司 WENZHOU JKUN CONNECTOR CO., LTD.			TITLE:		
X.±0.5	X.±5'	USE:	PART NO.:		
.X±0.3	.X±2'	CUSTOMER	A1501T		
.XX±0.25	.XX±1'	APPD: 邵敬和	DWG NO.:		
--	--	CHKD: 田峰	JKUN/GCDZ-0003		
⊕	UNITS: mm	DR: 吴丹平	SCALE	SHEET	
			1 : 1	1 / 1	