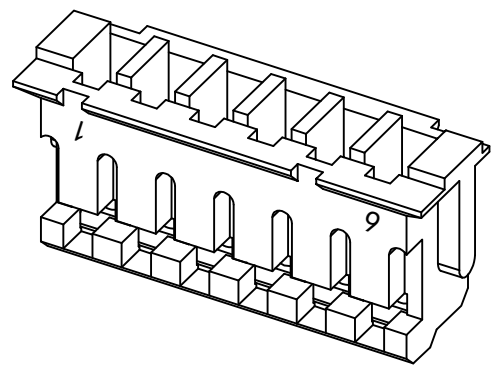
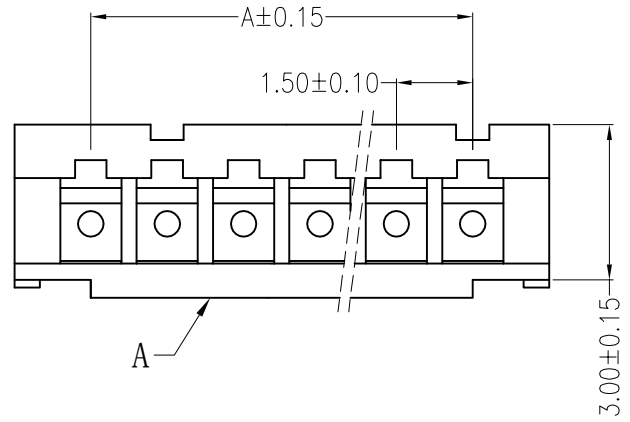
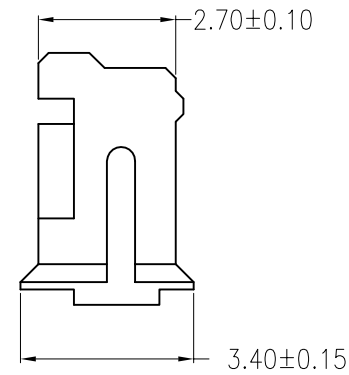
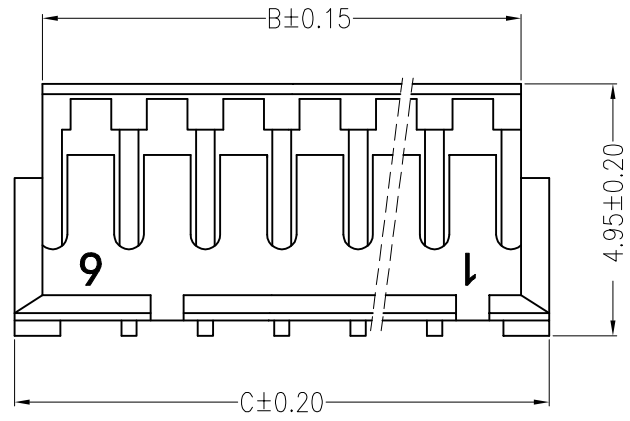


REV	ECN No.	DESCRIPTION	DESIGN	DATE
A0		Release	吴丹平	2016.09.23



主要技术参数 Main Specifications

- 线 数 (Poles): 02 to 16
- 接触电阻 (Contact resistance): $\leq 20m\Omega$
- 绝缘电阻 (Insulation resistance): $\geq 500M\Omega$
- 额定电压 (Rated voltage): 125V AC DC
- 额定电流 (Rated current): 1.0A AC DC
- 耐 电 压 (Withstand Voltage): 500V AC/minute
- 温度范围 (Temperature Range): $-25^{\circ}C \sim +85^{\circ}C$

ORDER INFORMATION:

A1501Y--A5W-P**

PART No. **A1501Y-**-A5W-P**

No. OF CIRCUITS: **06**

PACKAGING: **P=PE**

PLASTIC MATERIAL: **A5W=PA66 (WHITE)**

Circuits	Dimensions (mm)			Circuits	Dimensions (mm)		
	A	B	C		A	B	C
02	1.50	3.40	4.50	10	13.50	15.40	16.50
03	3.00	4.90	6.00	11	15.00	16.90	18.00
04	4.50	6.40	7.50	12	16.50	18.40	19.50
05	6.00	7.90	9.00	13	18.00	19.90	21.00
06	7.50	9.40	10.50	14	19.50	21.40	22.50
07	9.00	10.90	12.00	15	21.00	22.90	24.00
08	10.50	12.40	13.50	16	22.50	24.40	25.50
09	12.00	13.90	15.00				

ITEM	COMPONENT	Q'TY	MATERIAL	FINISH
C				
B				
A	PEDESTAL	1 PCS	PA66	COLOR:WHITE

JKUN 温州健坤接插件有限公司 WENZHOU JKUN CONNECTOR CO., LTD.		TITLE: 1.5mmPITCH Housing	
X.±0.5	X.±5'	USE: CUSTOMER	PART NO.:
.X±0.3	.X±2'	APPD: 邵敬和	A1501Y-**-A5W-P
.XX±0.25	.XX±1'	CHKD: 田峰	DWG NO.:
--	--	DR: 吴丹平	JKUN/GCCP-0520
⊕	∠	UNITS: mm	SCALE
			1 : 1
			SHEET
			1 / 1