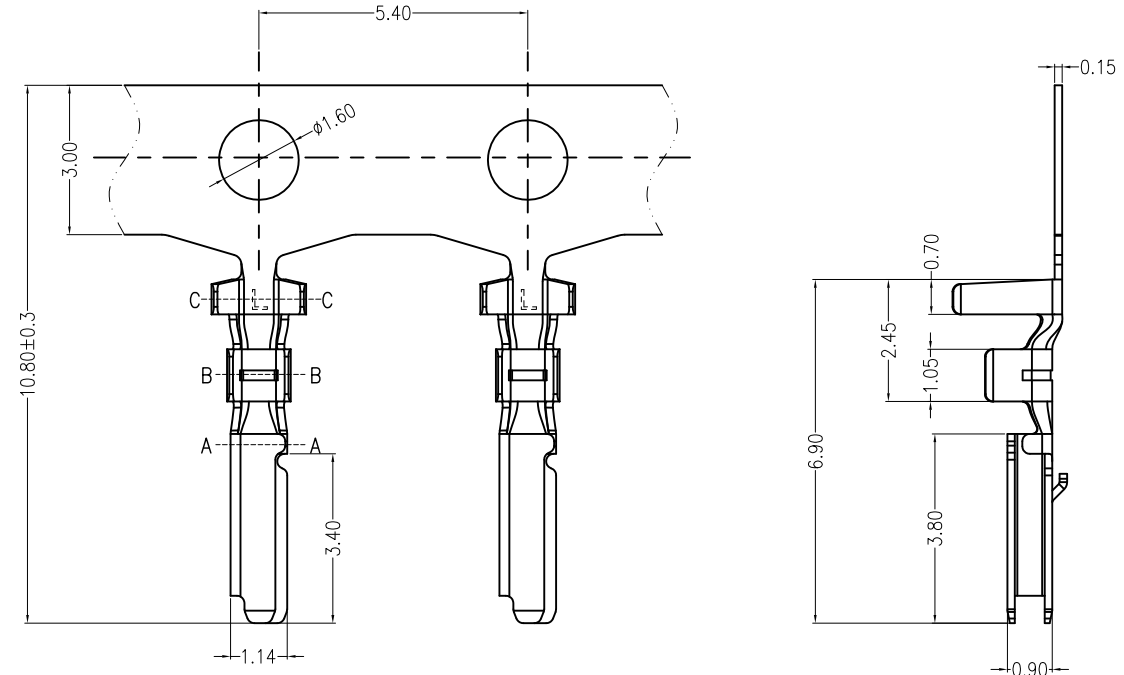
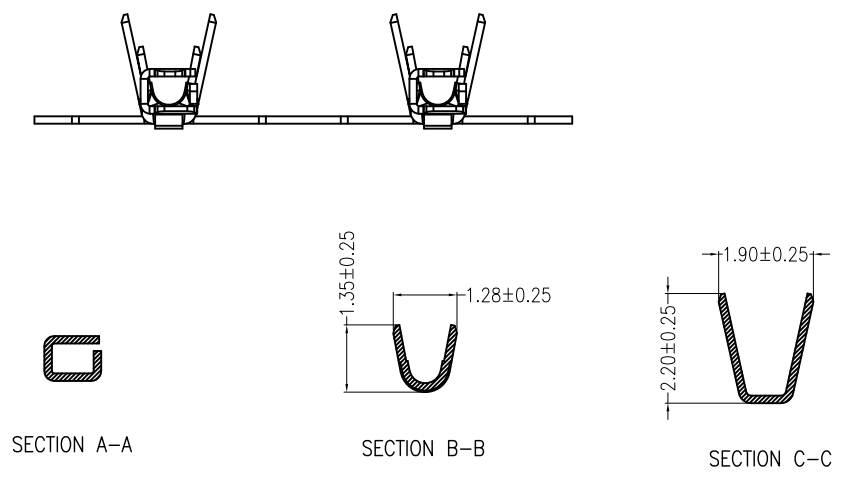
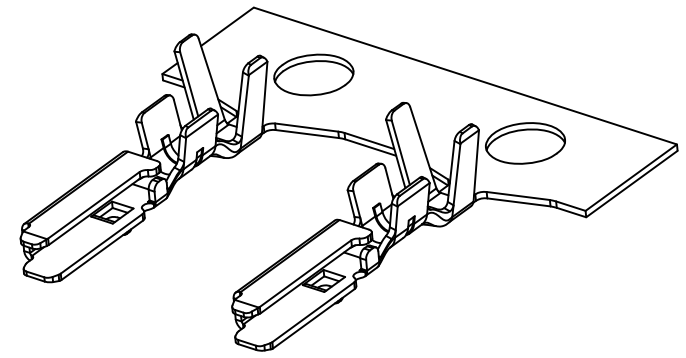


REV	DESCRIPTION	DESIGN	DATE
A	NEW RELEASE	Lingqing	2021/03/13



Specifications:

- Contact resistance: $\leq 20\text{m}\Omega$
- Insulation resistance: $\geq 500\text{M}\Omega$
- Rated voltage: 100V AC DC
- Rated current: 2.0A AC DC
- Withstand Voltage: 500V AC/minute
- Temperature Range: $-40^{\circ}\text{C} \sim +105^{\circ}\text{C}$
- Contacts: Phosphor Bronze Sn-plated



Ordering Information & Specification:

Part No	Wire Range	Insulation O.D.	Material	Finish	Qty/Reel
A1506T	AWG #24~#28	1.28mm(max)	Phosphor bronze	Tin-plated	
JKUN 温州健坤接插件有限公司 WENZHOU JKUN CONNECTOR CO.,LTD.				TITLE: MX 1.50 Terminal	
GENERAL TOLERANCE		USE: CUSTOMER		PART NO.:	
X. ±0.50	X. ±5°	APPD: Shaojinghe		A1506T-01端子	
X.X ±0.30	X.X ±2°	CHKD: Fangsongle		DWG NO.:	
X.XX ±0.20	X.XX ±1°	DR: Zenglingqing		JKUN-GCKH-0094	
UNITS: mm		SCALE		SHEET	
		1 : 1		1 / 1	