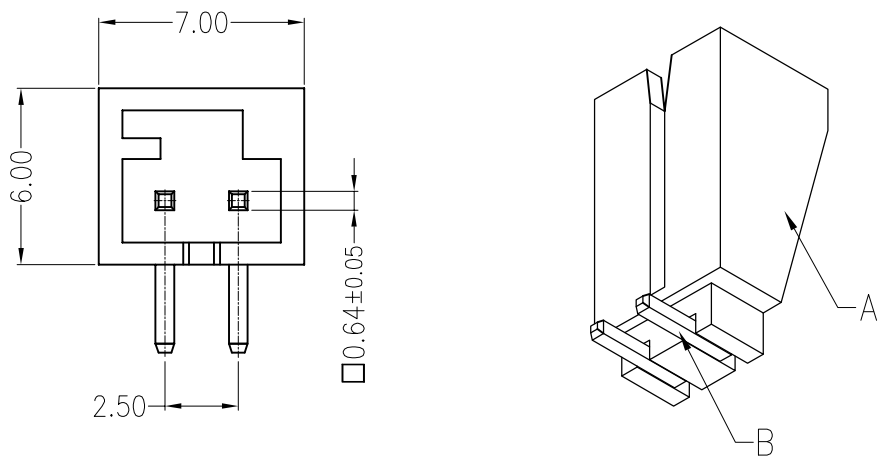


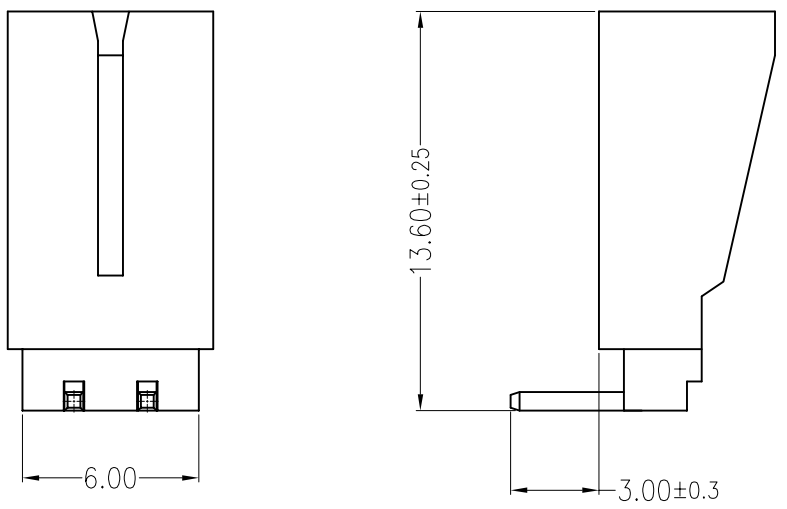
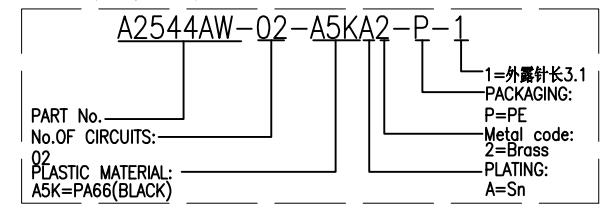
REV	DESCRIPTION	DESIGN	DATE
AO	Release	吴丹平	2017.08.07



### 主要技术参数 Main Specifications

- 线数 (Poles): 02
- 接触电阻 (Contact resistance):  $\leq 20m\Omega$
- 绝缘电阻 (Insulation resistance):  $\geq 1000M\Omega$
- 额定电压 (Rated voltage): 250V AC DC
- 额定电流 (Rated current): 3.0A AC DC
- 耐电压 (Withstand Voltage): 1500V AC/minute
- 温度范围 (Temperature Range):  $-25^{\circ}C \sim +85^{\circ}C$

#### ORDER INFORMATION:



ITEM	COMPONENT	Q'TY	MATERIAL	FINISH
C				
B	CONTACT	2 PCS	Brass	Sn-plated
A	PEDESTAL	1 PCS	PA66	COLOR:BLACK

<b>JKUN 温州健坤接插件有限公司</b> <b>WENZHOU JKUN CONNECTOR CO., LTD.</b>			TITLE: - 2.54mmPITCH 90°WAFER DIP TYPE	
X.±0.5	X.±5'	USE: CUSTOMER	PART NO.:	
.X±0.3	.X±2'	APPD: 邵敬和	A2544AW-02-A5KA2-P-1	
.XX±0.25	.XX±1'	CHKD: 田峰	DWG NO.:	
--	--	DR: 吴丹平	JKUN-GCCP-0715	
UNITS: mm		SCALE: 1:1	SHEET: 1/1	