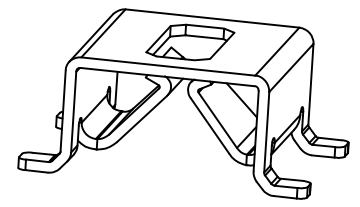
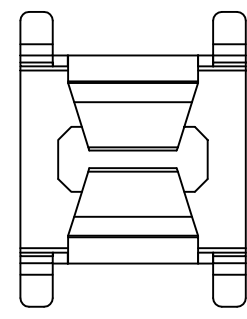
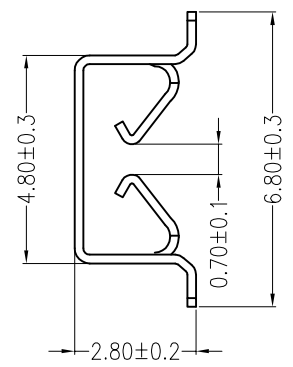
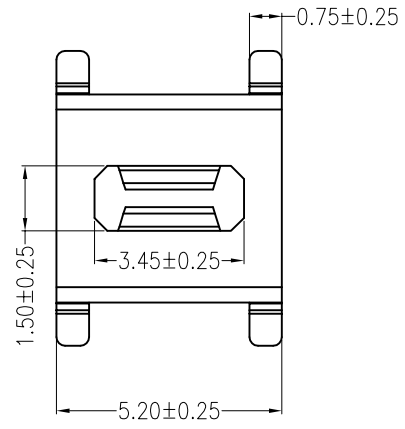
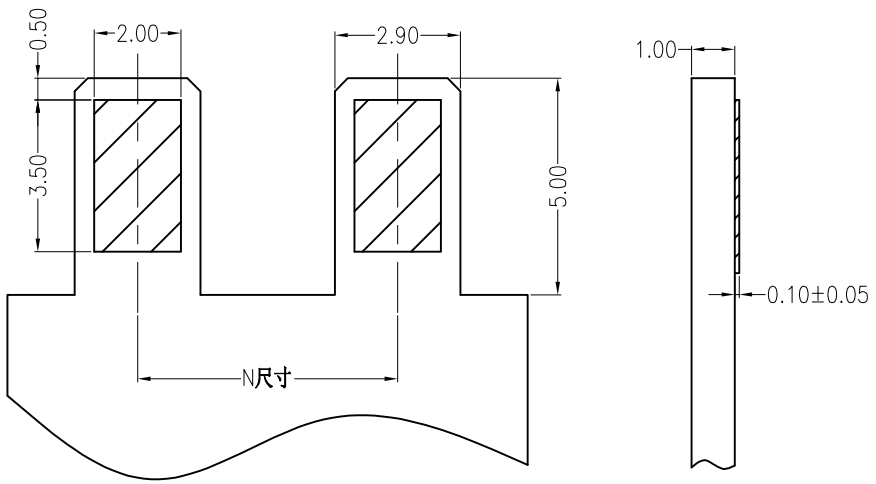


REV	DESCRIPTION	DESIGN	DATE
A0	Release	吴丹平	2016.04.30

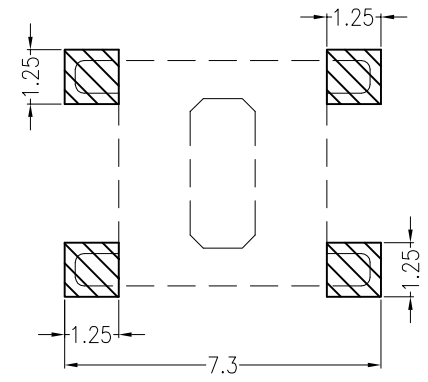


主要技术参数 Main Specifications

板 厚 (thickness): 1.0mm
 接触电阻 (Contact resistance): $\leq 20m\Omega$
 绝缘电阻 (Insulation resistance): $\geq 800M\Omega$
 额定电压 (Rated voltage): 250 V AC DC
 额定电流 (Rated current): 1.0A AC DC
 耐 电压 (Withstand Voltage): 1500V AC/minute
 温度范围 (Temperature Range): $-45^{\circ}C \sim +125^{\circ}C$



Mating PCB detail



Board Layout

ORDER INFORMATION:

L031-1.0-T2CB-R

PART No.			
No. FOR PCB:			
1.0mm			
PLASTIC MATERIAL:			
T2C=PBR (BEIGE)			
PACKAGING:			
R=REEL			
P=PE			
PLATING:			
B=MATTE Sn			

ITEM	COMPONENT	Q'TY	MATERIAL	FINISH
C				
B				
A	CONTACT	1 PCS	PhosphorBronze	MATTE Sn-plated

JKUN 温州健坤接插件有限公司 WENZHOU JKUN CONNECTOR CO., LTD.			TITLE: -	
X.±0.5	X.±5'	USE: CUSTOMER	PART NO.:	
.X±0.3	.X±2'		L031-1.0-T2CB-R	
.XX±0.25	.XX±1'	APPD: 邵敬和	DWG NO.:	
--	--	CHKD: 田峰	JKUN/GCCP-0055	
		DR: 蒋建银	SCALE 1 : 1	SHEET 1 / 1