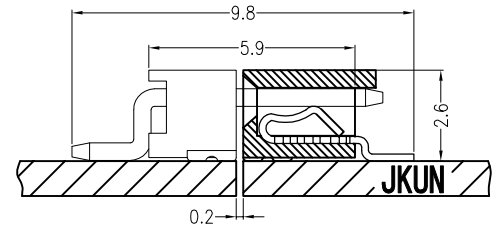
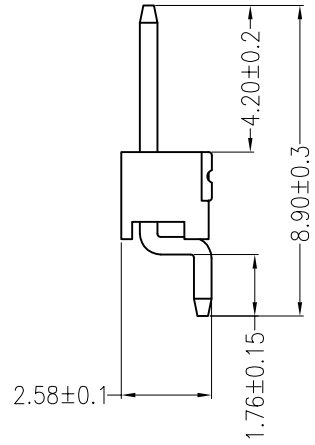
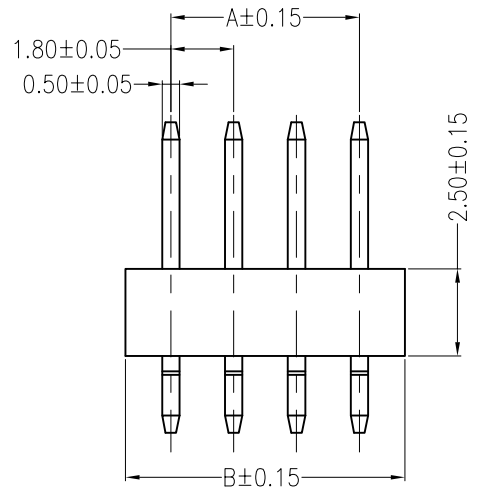


REV	DESCRIPTION	DESIGN	DATE
A0	Release	吴丹平	2016.05.06

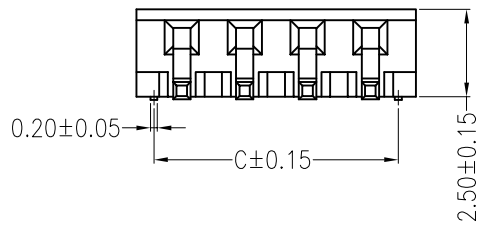
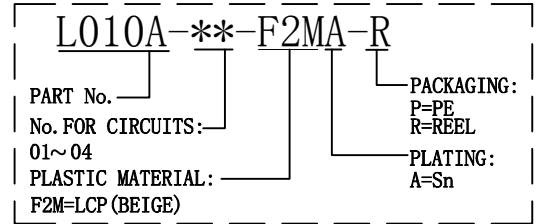


Assembly Layout

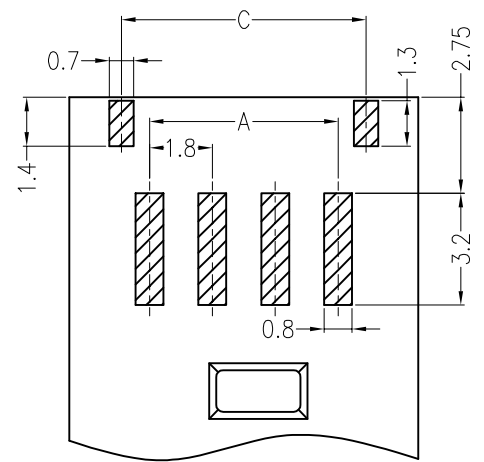
主要技术参数 Main Specifications

接触电阻 (Contact resistance): $\leq 20m\Omega$
 绝缘电阻 (Insulation resistance): $\geq 800M\Omega$
 额定电压 (Rated voltage): 125V AC DC
 额定电流 (Rated current): 1.0A AC DC
 耐电压 (Withstand Voltage): 800V AC/minute
 温度范围 (Temperature Range): $-25^{\circ}C \sim +105^{\circ}C$

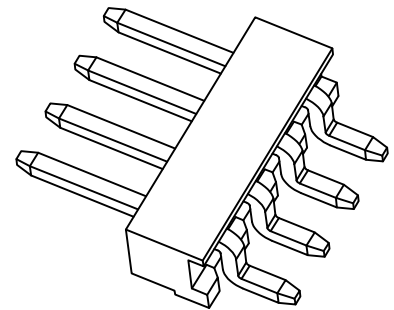
ORDER INFORMATION:



名称	DIM=A	DIM=B	DIM=C	备注
L010A-01		B=2.60	C=1.60	
L010A-02	A=1.80	B=4.40	C=3.40	
L010A-03	A=3.60	B=6.20	C=5.20	
L010A-04	A=5.40	B=8.00	C=7.00	
L010A-03 (2)	A=3.60	B=6.20	C=5.20	中间空一针
L010A-04 (2)	A=5.40	B=8.00	C=7.00	中间空二针
L010A-04 (3)	A=5.40	B=8.00	C=7.00	右边起空第二针



Mating Aluminum plate detail



C	SOLDER TAB	2 PCS	PhosphorBronze	MATTE Sn-plated
B	CONTACT	01~04PCS	Brass	Sn-plated
A	PEDESTAL	1 PCS	LCP	UL 94V-0, COLOR:BEIGE
ITEM	COMPONENT	Q'TY	MATERIAL	FINISH

JKUN 温州健坤接插件有限公司
WENZHOU JKUN CONNECTOR CO., LTD.

TITLE: -
 1.8mmPITCH 90°WAFER SMT TYPE

X.±0.5	X.±5'	USE: CUSTOMER	PART NO.: L010A-**-F2MA-R		
.X±0.3	.X±2'			APPD: 邵敬和	DWG NO.: JKUN/GCCP-0019
.XX±0.25	.XX±1'			CHKD: 田峰	
--	--			DR: 吴丹平	
UNITS: mm		SCALE 1 : 1			

SHEET 1 / 1	
----------------	--