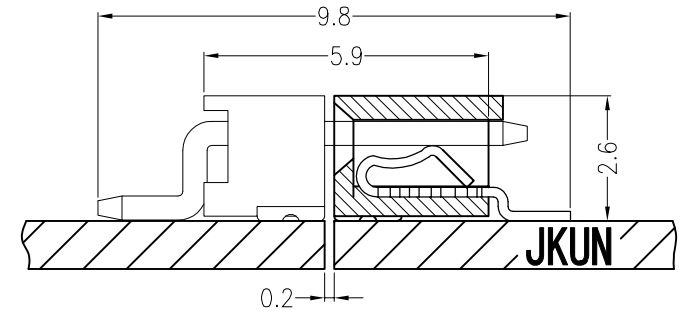
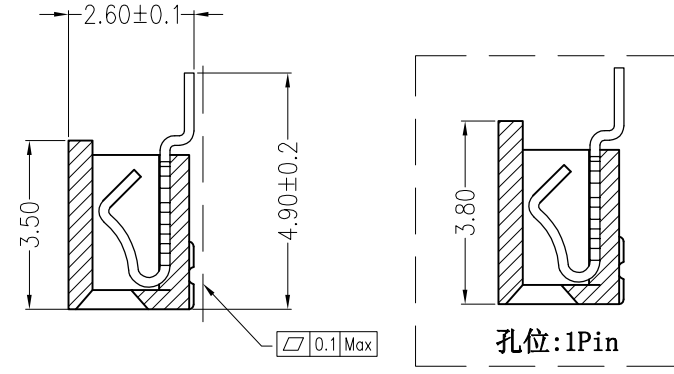
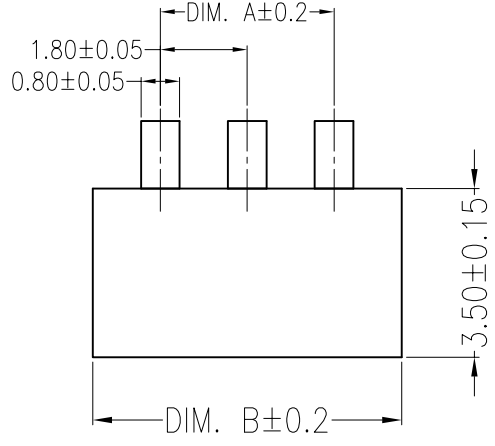


REV	DESCRIPTION	DESIGN	DATE
A0	Release	吴丹平	2017.03.23

1

1

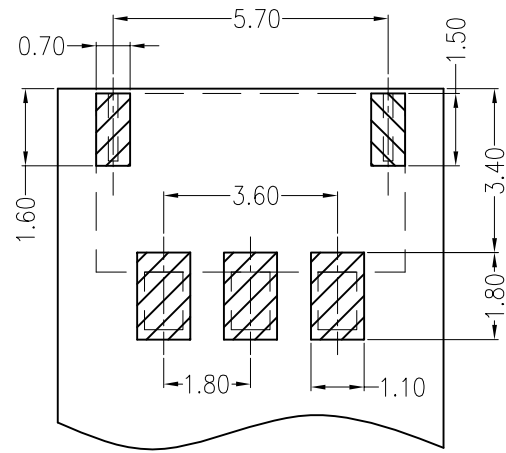
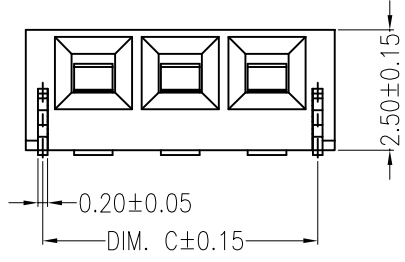


2

2

3

3

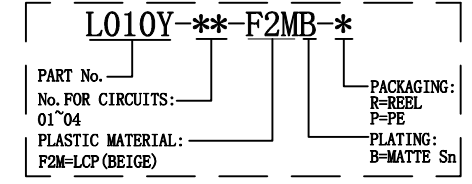


Assembly Layout

主要技术参数 Main Specifications

- 接触电阻 (Contact resistance): $\leq 20m\Omega$
- 绝缘电阻 (Insulation resistance): $\geq 800M\Omega$
- 额定电压 (Rated voltage): 125V AC DC
- 额定电流 (Rated current): 1.0A AC DC
- 耐电压 (Withstand Voltage): 800V AC/minute
- 温度范围 (Temperature Range): $-25^{\circ}C \sim +105^{\circ}C$

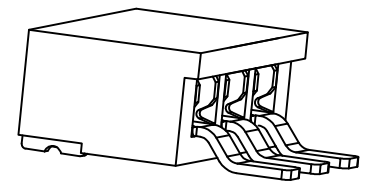
ORDER INFORMATION:



4

4

Mating Aluminum plate detail



5

5

名称	DIM=A	DIM=B	DIM=C	备注	C	SOLDER TAB	2 PCS	PhosphorBronze	MATTE Sn-plated				
L010Y-01		B=2.80	C=2.10		B	CONTACT	1~4 PCS	PhosphorBronze	MATTE Sn-plated				
L010Y-02	A=1.80	B=4.60	C=3.90		A	PEDESTAL	1 PCS	LCP	UL 94V-0, COLOR:BEIGE				
L010Y-03	A=3.60	B=6.40	C=5.70		ITEM	COMPONENT	Q'TY	MATERIAL	FINISH				
L010Y-04	A=5.40	B=8.20	C=7.50		JKUN 温州健坤接插件有限公司 WENZHOU JKUN CONNECTOR CO., LTD.				TITLE: -				
L010Y-03(2)	A=3.60	B=6.40	C=5.70	中间空一针					X.±0.5	X.±5'	USE:	CUSTOMER	
L010Y-04(2)	A=5.40	B=8.20	C=7.50	中间空二针					.X±0.3	.X±2'	APPD:	L010Y-**-F2MB-*	
L010Y-04(3)	A=5.40	B=8.20	C=7.50	右边起空第二针					.XX±0.25	.XX±1'	CHKD:	DWG NO.: JKUN/GCCP-0020	
					UNITS:	mm	DR:	吴丹平	SCALE	SHEET			
									1 : 1	1 / 1			

A

B

C

D

E

F