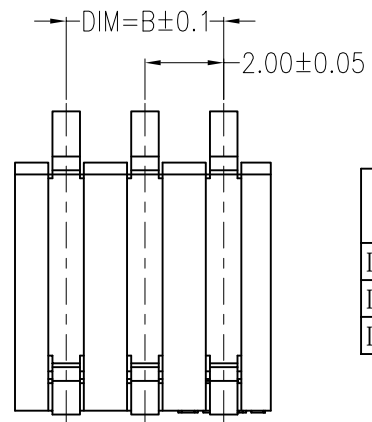
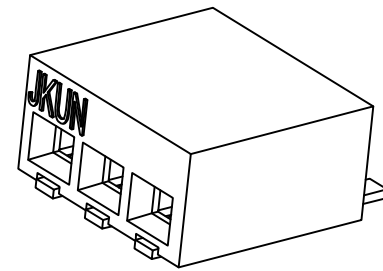
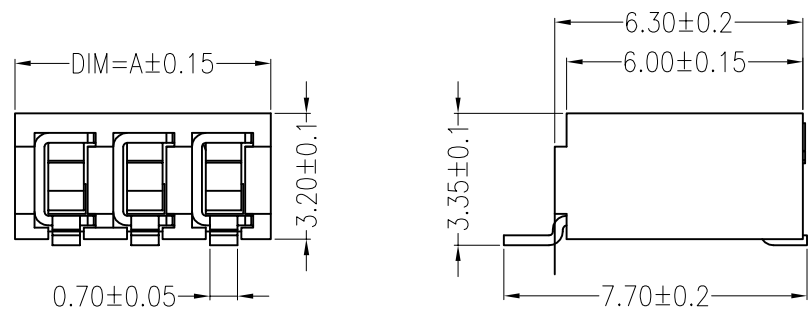
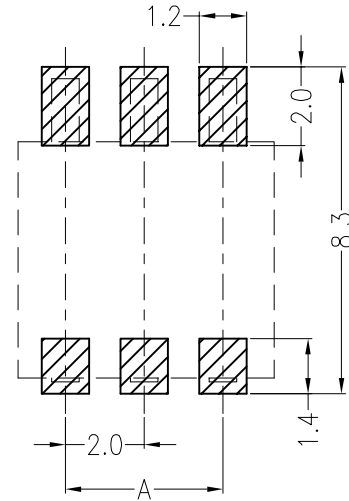


REV	DESCRIPTION	DESIGN	DATE
A0	Release	吴丹平	2016.04.30



Circuit	Dimensions (mm)	
	DIM=A	DIM=B
L023Y-01	2.50	
L023Y-02	4.50	2.00
L023Y-03	6.50	4.00



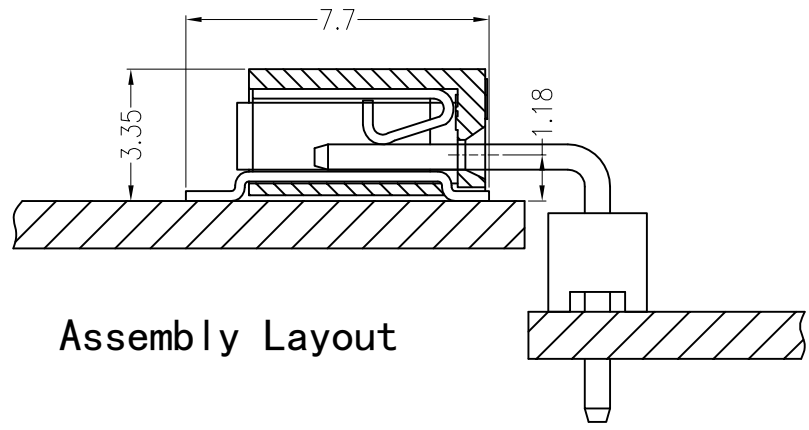
**主要技术参数 Main Specifications**

- 线 数 (Poles): 01 to 03
- 接触电阻 (Contact resistance):  $\leq 20m\Omega$
- 绝缘电阻 (Insulation resistance):  $\geq 1000M\Omega$
- 额定电压 (Rated voltage): 125V AC DC
- 额定电流 (Rated current): 1.0A AC DC
- 耐 电压 (Withstand Voltage): 1000V AC/minute
- 温度范围 (Temperature Range):  $-25^{\circ}C \sim +105^{\circ}C$

**ORDER INFORMATION:**

**L023Y-\*\*-F2MB-P**

PART No.:		PACKAGING:	
No. FOR CIRCUITS:		P=PE	R=REEL
01~03		PLATING:	B=MATTE Sn
PLASTIC MATERIAL:	F2M=LCP (BEIGE)		



**Assembly Layout**

**Board Layout**

ITEM	COMPONENT	Q'TY	MATERIAL	FINISH
C				
B	CONTACT	1~3 PCS	PhosphorBronze	MATTE Sn-plated
A	PEDESTAL	1 PCS	LCP	UL 94V-0, COLOR:BEIGE

X.±0.5		X.±5°	USE: CUSTOMER	TITLE: -	
.X±0.3		.X±2°		2.0mmPITCH 90°WAFER SMT TYPE	
.XX±0.25		.XX±1°	APPD: 邵敬和	PART NO.:	
--		--	CHKD: 田峰	L023Y-**-F2MB-R	
⊕		UNITS: mm	DR: 周秀龙	DWG NO.:	
				JKUN/GCCP-0044	
				SCALE	SHEET
				1 : 1	1 / 1

**JKUN** 温州健坤接插件有限公司  
WENZHOU JKUN CONNECTOR CO.,LTD.