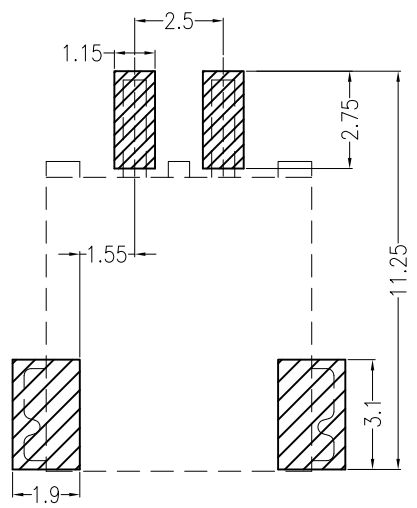
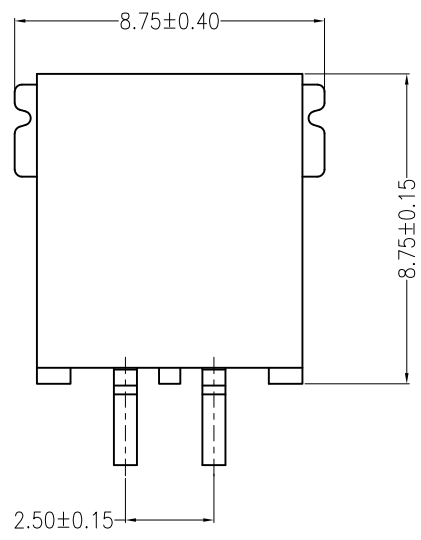
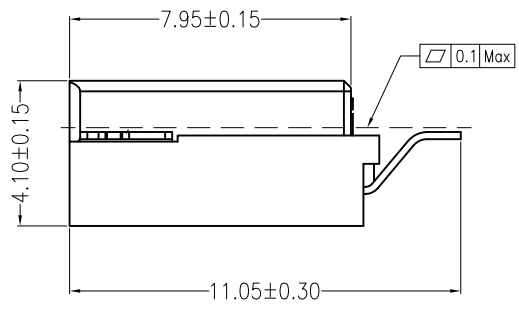
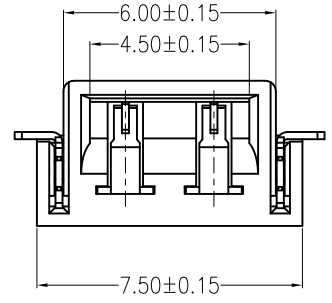
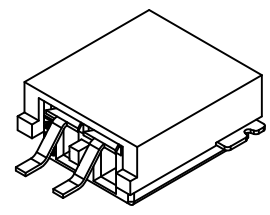


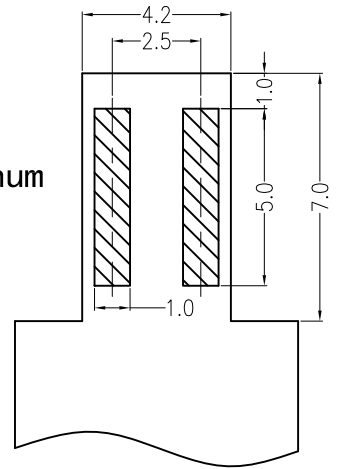
REV	DESCRIPTION	DESIGN	DATE
A0	NEW RELEASE	FangSongLe	2020/07/24



Board Layout



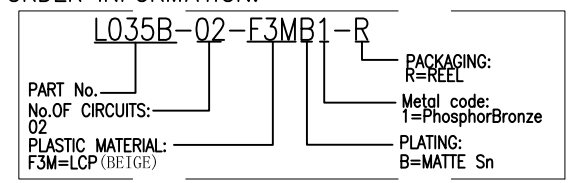
Mating Aluminum plate detail



Specifications:

- Contact resistance: ≤20mΩ
- Insulation resistance: ≥1000MΩ
- Rated voltage: 250V AC DC
- Rated current: 2.0A AC DC
- Withstand Voltage: 1000V AC/minute
- Temperature Range: -40°C ~ +120°C
- Housing: LCP UL94V-0, BEIGE
- Contacts: PhosphorBronze/MATTE Sn-plated

ORDER INFORMATION:



JKUN 温州健坤接插件有限公司 WENZHOU JKUN CONNECTOR CO.,LTD.		TITLE: 2.5mmPITCH 90°WAFER SMT TYPE	
GENERAL TOLERANCE		USE: CUSTOMER	PART NO.:
X. ±0.50	X. ±5°	APPD: WangFeng	L035B-02-F3MB1-R
X.X ±0.30	X.X ±2°	CHKD: Steven	DWG NO.:
X.XX ±0.20	X.XX ±1°	DR: FangSongLe	JKUN-GCKH-2156
UNITS: mm		SCALE 1 : 1	SHEET 1 / 1